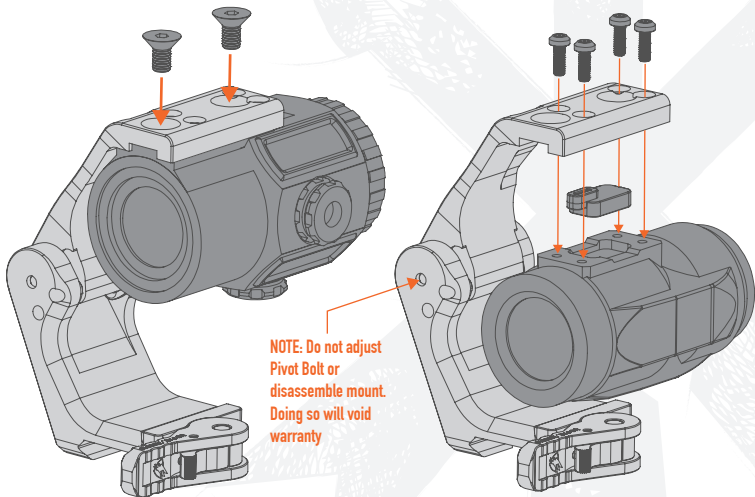


## ⚠️ ENSURE FIREARM IS UNLOADED

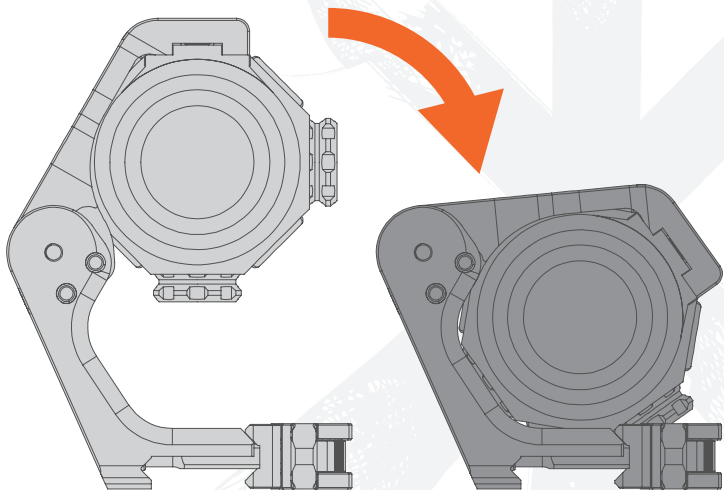
⚠️ **WARNING:** Over-torquing fasteners can damage your mount and will not be covered by warranty.



**1** Remove Magnifier from factory mount and set it aside.

**2** Up-end and seat Magnifier in FAST mount arm (do not use shims from OEM magnifier kits). Insert included two large screws in EOTech, Trijicon, or Vortex optics. Use included four small screws and Juliet Adapter in Sig Sauer optics. Secure Large screws using a T25 bit driver. Secure Small screws using a T10 bit driver. Lightly snug all screws before applying final torque to any. **TORQUE LARGE SCREWS TO 35 IN.-LBS. TORQUE SMALL SCREWS TO 13 IN.-LBS.**

**⚠️ ENSURE FIREARM IS UNLOADED**



- 3** FAST Magnifier Mounts use a Force-to-Overcome mechanism.
- 4** Grasp magnifier body and pivot assembly down to stow position. Repeat in reverse to bring magnifier back into active position.