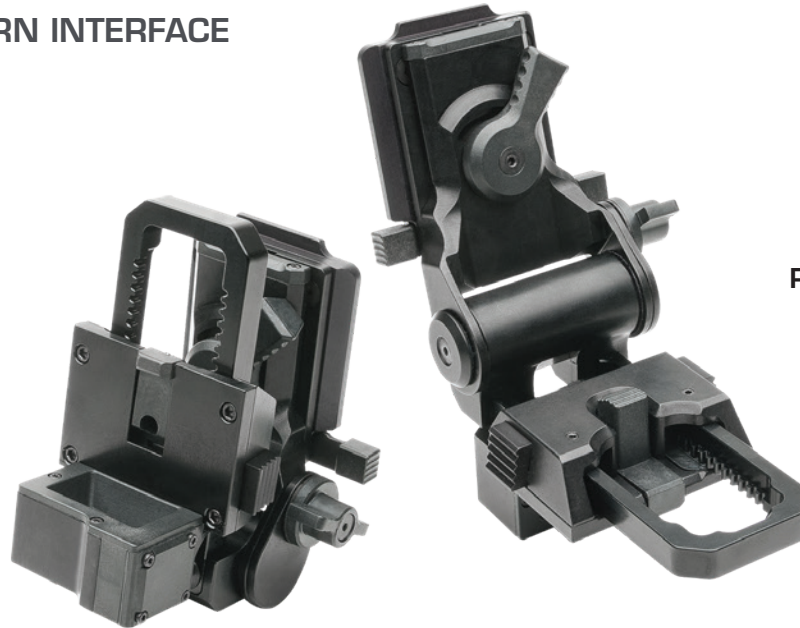


G11 MOUNT

NON-BREAKAWAY HORN INTERFACE



**US ARMY
PROGRAM OF
RECORD**

PRODUCT OVERVIEW

The G11 non-breakaway mount with horn interface shoe has become a night vision goggle industry standard. The G11, when attached to a Wilcox One-Hole HMI, Three-Hole HMI, or the standard Army shroud, allows firm attachment of the AN/PVS-7B/D and AN/PVS-14 when using Wilcox's AN/PVS-14 arm. The G11 maintains a very low profile stance on the helmet with a non-breakaway design that reduces the risk of the loss of the NVG.

FEATURES & BENEFITS

- Each mechanical adjustment is durable and ergonomically positioned for easy one-handed operation while handling a weapon
- Stow mechanism provides “force to overcome” locking in the operational and stowed positions
- A built-in auto-off feature allows the goggle to automatically turn off when stowed for NVG Devices
- Several adjustment points provide precise eye relief

SPECIFICATIONS

Dimensions (Operational):	4.65" L x 2.58" W x 3.80" H
Weight:	0.40 lb (6.35 oz)
Material Construction:	Lightweight, Aerospace Grade Metal
Accommodates NVG:	AN/PVS-7B/D, AN/PVS-14
Vertical Height Adjustment:	<0.90" Total Travel
Fore/Aft Travel:	<1.6" Total Travel
Tilt to Horizon:	<12° Above, <5° Below
Flip:	110°

Available Colors: ■-B

PRODUCT DESCRIPTION	NSN NUMBER	PART NUMBER
G11 NON-BREAKAWAY BASE/ MAGNET	5855-01-610-8704, CAGE 004F1	28300G11
G11 NON-BREAKAWAY BASE/ MAGNET/ONE HOLE SHROUD STANDARD (MICH, ACH, ECH)		56100G19
G11 NON-BREAKAWAY BASE/ STANDARD (PASGT)		56100G20

Approved for Public Release

