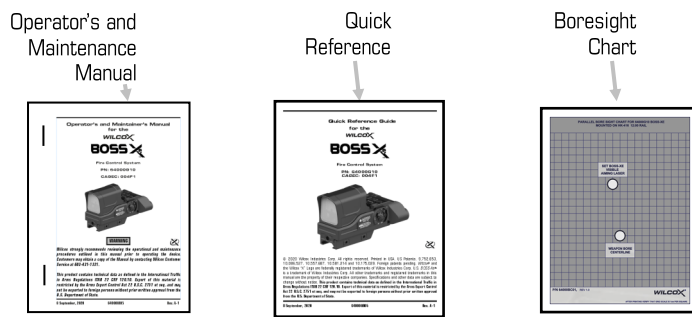


**PRODUCT IDENTIFICATION - MAIN COMPONENTS**



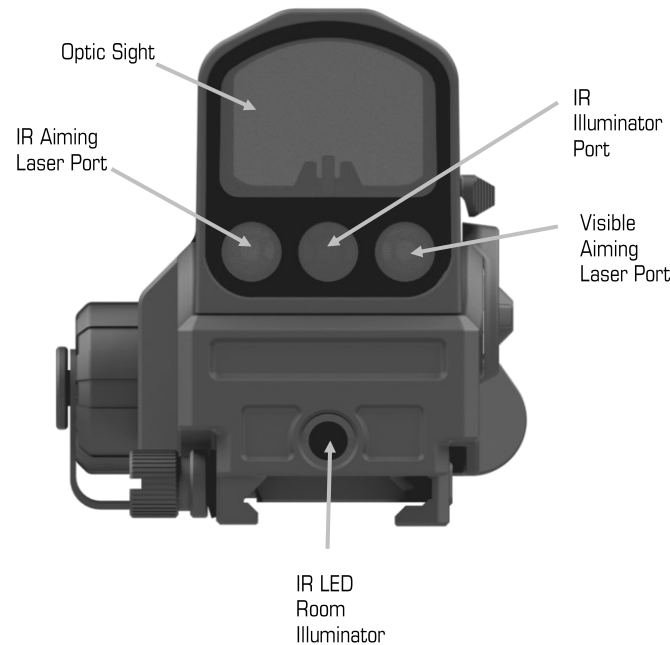
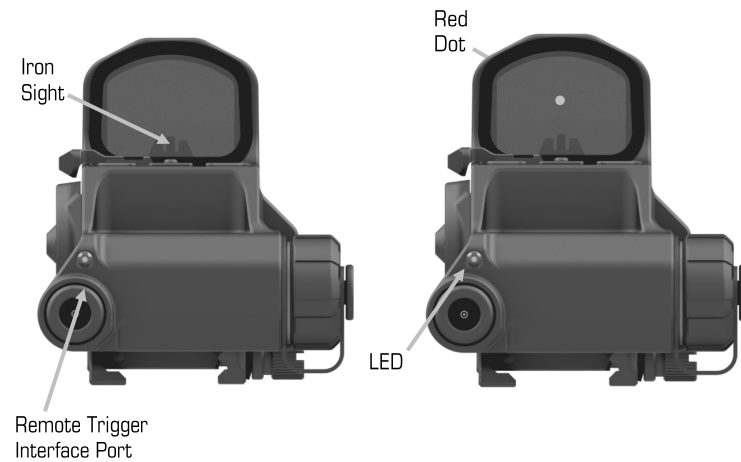
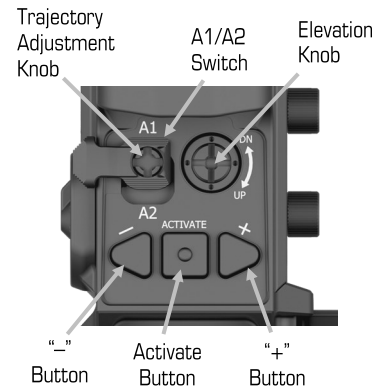
**PRODUCT IDENTIFICATION - CLEANING KIT**



**PRODUCT IDENTIFICATION - ANCILLARY KIT**



**PRODUCT IDENTIFICATION - FEATURES**



**MODE SELECTION OPTIONS**

IR DH <sup>†</sup>	Dual IR Aiming Laser and IR Illuminator - High Power (Can Be Locked Out with Lockout Screw)
IR AH <sup>†</sup>	IR Aiming Laser - High Power (Can Be Locked Out with Lockout Screw)
IR DL	Dual IR Aiming Laser and IR Illuminator LED - Low Power
IR AL	IR Aiming Laser - Low Power
OFF	Mechanical Power Off
==	Reticle Shape Selection **
VIS AL	Visible Aiming Laser - Low Power
VIS AH <sup>†</sup>	Visible Aiming Laser - High Power (Can Be Locked Out with Lockout Screw)

\*\* High power switch positions are locked out to the user when Mode Selection Switch is placed in a non-high power position and the lock-out screw is in place (see description of lockout screw).  
\*\* Selection persists after power cycling.

**CARE, MAINTENANCE AND STORAGE**

Ensure that the primary (CR123) battery is removed and that the lasers are off, then dismount the BOSS-Xe from the primary weapon and inspect the unit for dirt, rust, and corrosion. If the display or lenses are broken or cloudy, notify unit armorer.

Ensure that the Battery Compartment Cap and o-ring are tightly sealed and that the area is free of sand and dirt particles. If a Battery Compartment Cap o-ring becomes cut, nicked or torn, notify unit armorer.

Dirt and other residue, like exposure to salt water, may impede the mechanical operation of the BOSS-Xe. Lightly flush with water to remove any debris. Blow any residual dirt or dust free from the lenses, then wipe with a clean Lens Cloth, provided. Do not use the brush provided for cleaning optic glass and laser port lenses. Using the brush, remove dirt and debris from the mounting rails and controls. This should be done on a regular basis.

Manufactured by:  
**WILCOX<sup>®</sup>**  
 Wilcox Industries, Corp.  
 One Wilcox Way  
 Newington, NH 03801-7816  
 Phone: 888-8WILCOX  
 603-431-1331  
 Fax: 603-431-1221



WWW.WILCOXIND.COM

For troubleshooting service questions, contact Wilcox between 8am and 5pm EST.

© 2020-2021 Wilcox Industries Corp. All rights reserved. Printed in USA. US Patents: 9,752,853, 10,086,527, 10,557,687, 10,581,214, and 10,175,029. Additional US and foreign patents pending. Wilcox<sup>®</sup> and the Wilcox "X" Logo are federally registered trademarks of Wilcox Industries Corp. U.S. BOSS-Xe<sup>™</sup> is a trademark of Wilcox Industries Corp. All other trademarks and registered trademarks in this manual are the property of their respective companies. Specifications and other data are subject to change without notice.

**It is recommended that the Visible Laser be used for boreighting the BOSS-Xe to the target.**

**Do not use harsh abrasives or chemicals such as acetone to clean the BOSS-Xe. Any questions about appropriate chemicals should be directed to Wilcox Customer Service. Periodically inspect the Battery Compartment o-ring. If a Battery Compartment Cover o-ring becomes cut, nicked or torn, notify unit armorer.**

**Lithium Batteries can rupture and explode if exposed to fire, heat, electrical charge, or damage to the battery. Follow proper battery storage and maintenance procedures for handling of lithium batteries.**

**Do not fire the weapon if the BOSS-Xe displays a left or right cant indicator. Firing the weapon when the BOSS-Xe is canted can cause unintended damage to surrounding targets and may result in injury or death. Ensure that the weapon is CLEAR and on SAFE before mounting or dismounting the BOSS-Xe.**

**CAUTIONS, WARNINGS, AND NOTICES**  
**//Restricted USML//REL AUS and USA Treaty Community.**

**Quick Reference Guide for the WILCOX<sup>®</sup> BOSS-Xe<sup>™</sup> Fire Control System**  
 PN: 64000G10  
 CAGEC: 004F1



**You are required to thoroughly read all instructions and product safety information in the BOSS-Xe Operator's Manual before using this product. FAILURE TO COMPLY WITH PROPER INSTRUCTIONS COULD RESULT IN PROPERTY DAMAGE, INJURY AND/OR DEATH. Wilcox is not responsible for damages resulting from improper use and/or maintenance. Customers may obtain a copy of the Manual by contacting Wilcox Customer Service at 603-431-1331.**

**This manual and product contain technical data as defined in the International Traffic in Arms Regulations ITAR 22 CFR 120.10. Export of this material is restricted by the Arms Export Control Act 22 U.S.C. 2751 et seq. and may not be exported to foreign persons without prior written approval from the U.S. Department of State.**

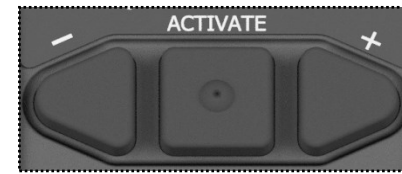
## BUTTON OPERATIONS (BY MODE)

	Down (-) Button	Activate Button	Up (+) Button
	<i>BOSS-Xe</i> Only	<i>BOSS-Xe</i> & Remote	<i>BOSS-Xe</i> Only
<b>Laser Modes:</b> IR DH IR AH VIS AH IR DL IR AL VIS AL	Lasers Active: Decreases aiming laser power when laser is active. Lasers Inactive: Decreases reticle brightness. ***	Turns Operational Mode Laser On/Off. Aiming Lasers are activated in the last selected power level for the power mode position. *, **	Lasers Active: Increases aiming laser power when laser is active. Lasers Inactive: Increases reticle brightness. ***
<b>Reticle Shape Menu:</b> =	<b>Single Press:</b> Scroll down through available options.	<b>Single Press:</b> Turn Reticle On/Off.	<b>Single Press:</b> Scroll up through available options.

\* Single Press temporarily activates until the button is released, while rapid double press activates until pressed once again to turn off.  
\*\* Active lasers will time out after 5 minutes of continuous use.  
\*\*\* Changes are retained when power cycling.

## BUTTON OPERATION

Down      Activate      Up



**BOSS-Xe Control Pad Buttons**

Activate Laser      Activate Optional Flashlight









**Remote Trigger Buttons**

## LED STATUS INDICATOR

Operational State	LED State
Any laser active	On Green
Low Battery	On Red
Both Low Battery and Any laser active	Blink Red and Green

## RETICLE SHAPE SWITCH POSITION OPTIONS

Option & Icon	Description	Values	Default
	Select Reticle Shape (Selection persists after power cycling)	Dot & Circle, Dot & Sides, Dot only, Circle only    	Dot & Circle 

## TO ACTIVATE THE PANIC ALERT

- Step 1.)** Simultaneously press the Up and Down Buttons and hold for roughly three (3) seconds.
- ◆ If a Bluetooth device is connected, a Panic Alert message will be sent to it.
  - ◆ To repeat the message at roughly two-second intervals, continue to hold the button.

## TO PERFORM DAYTIME ENGAGEMENT WITH THE BOSS-Xe

- Step 1.)** Remove the Lens Cover.
- Step 2.)** Rotate the Mode Selection Knob to a daytime operational position (refer to Table 2.5-2, "Mode Options Tree").
- Step 3.)** Acquire the target using the Sight.
- Step 4.)** Verify that the weapon is level to the horizon (not canted) by checking for cant indication. If the *BOSS-Xe* is not level, cant indication is provided on the reticle by blinking one of the side arcs. The blinking arc indicates the low side. The slower blink rate indicates cant to the left. The faster blink rate indicates cant to the right. Tilt the weapon in the direction opposite of the cant to adjust.

To minimize time to acquire the reticle, align the iron sights as described in the following section: "To Perform Engagements with the *BOSS-Xe* Powered Off", and the reticle will come into view.

- Step 4.)** Fire the weapon.

## TO PERFORM ENGAGEMENTS WITH THE BOSS-Xe POWERED OFF

The *BOSS-Xe* can still be used to accurately engage targets without being powered on through the use of the iron sights and the backup range indicator.

- Step 1.)** Remove the Lens Cover.
- Step 2.)** Look through the window and align the iron sights so that the front pin located on the optic window is centered between the two rear pins. Align all pins so that their heights match.
- Step 3.)** While maintaining the alignment of the Iron Sights, as described above, aim so that the top of the center pin is aimed at the target (see Figure 3.5-1).
- Step 4.)** Ensure that the weapon is as level to the horizon as you can estimate.
- Step 5.)** Fire the weapon.



**Iron Sights (Rear View)**

## TO PERFORM NIGHTTIME ENGAGEMENT WITH THE BOSS-Xe

**WARNING**

**When adjusting *BOSS-Xe* trajectory, use caution to ensure that lasers are not fired in an unsafe manner.**

- Step 1.)** Remove the Lens Cover.
- Step 2.)** Press the Center Button to activate the selected laser(s).
- Step 3.)** Verify that the weapon is level to the horizon (not canted) by checking for cant indication. If the *BOSS-Xe* is not level, cant indication is provided via blinking of the IR Aiming Laser in all nighttime operational modes so the operator can engage without taking their eyes off of the target. The aiming laser will blink slowly when canted too far to the left and will blink fast when canted too far to the right. A clever way to remember this is "**Slow/Left, Tight/Right**". Tilt the weapon in the direction opposite of the cant to adjust.

CANT INDICATION	CAUSE
Slow Blink Rate	Unit Canted Left - <b>Do not Fire</b>
Fast Blink Rate	Unit Canted Right - <b>Do not Fire</b>

- Step 4.)** Fire the weapon.

## BORESIGHTING THE BOSS-Xe (10 METER BORESIGHT CHART METHOD)

The laser boresight procedure uses a weapon borelight to determine the theoretical centerline of the primary weapon bore. The lasers and the Red Dot Sight are co-aligned at the factory and are all adjusted simultaneously. Whenever possible, follow with live fire to verify aiming accuracy.

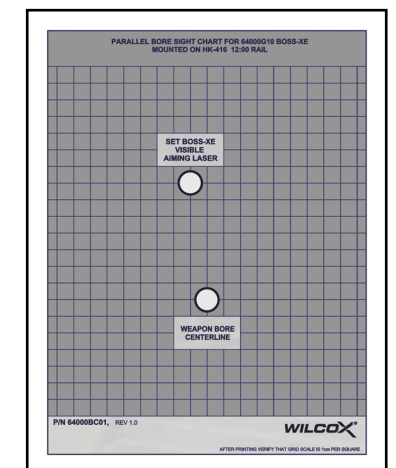
### Laser Boresight Procedure:

#### Boresighting the First (Shorter) Trajectory (A1) with a Laser Boresight Kit:

- Step 1.)** Ensure that the weapon is clear and SAFE.
- Step 2.)** Place the A1/A2 Switch in the "A1" position.
- Step 3.)** Ensure the weapon is stable and square to the ground. If possible, use a steady rest.
- Step 4.)** Set the boresight chart level with the weapon, 10 meters from the *BOSS-Xe* front end.
- Step 5.)** Install the Laser Boresight Kit for the primary weapon as instructed in its operational instructions.
- Step 6.)** Select the VIS-AL laser mode (visible aiming laser) on the *BOSS-Xe*.
- Step 7.)** Zero the weapon borelight in accordance with the instruction manual for the device.
- Step 8.)** Place the weapon borelight laser on the Bore Centerline of the chart.
- Step 9.)** Activate the laser on the *BOSS-Xe* by pressing the Center Button.
- Step 10.)** Adjust the *BOSS-Xe* to the corresponding labeled position on the chart by rotating the Windage and Elevation Control Knobs. Use the cant indicators while boresighting to ensure that the *BOSS-Xe* is level.

#### Zeroing the Second (Longer) Trajectory (A2) with Live Fire:

- Step 11.)** Ensure that the weapon is clear and SAFE.
- Step 12.)** Place the A1/A2 Switch in the "A2" position.
- Step 13.)** Ensure the weapon is stable and square to the ground. If possible, use a steady rest.
- Step 14.)** Activate the VIS-AL laser, placing the visible aiming laser on the target at the desired distance.
- Step 15.)** Fire a 3-round shot group and note the center of the grouping relative to the strike point.
- Step 16.)** If necessary, adjust only the Elevation of the *BOSS-Xe* to align the laser to the strike point.
- Step 17.)** Repeat steps 13 and 14 until the shot grouping falls within the strike zone.



**BOSS-Xe (6400G10) Boresight Chart**